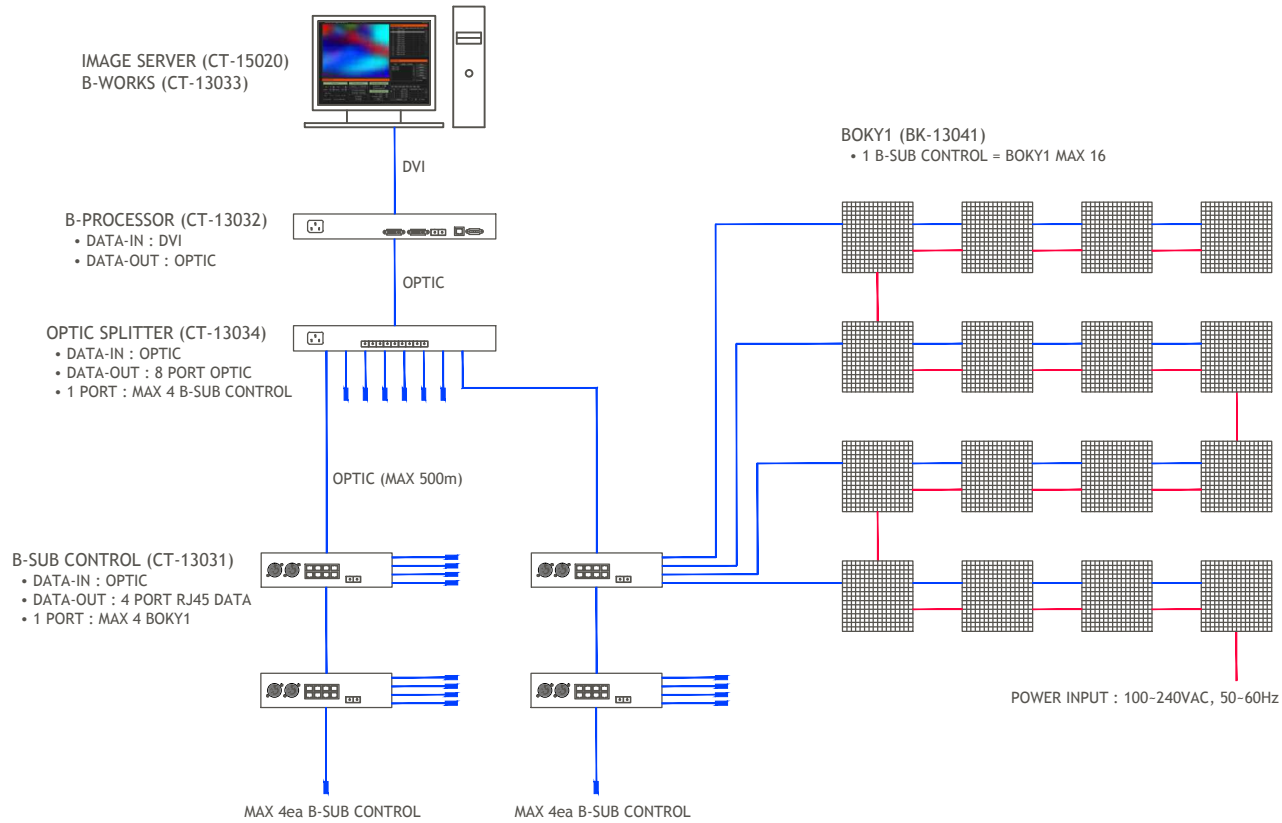


IMAGE-LED Lighting System

BOKY1 (BK-13041)



PROJECT NAME

TITLE NAME
BOKY1 WIRING DIAGRAM

REVISIONS

DATE 1. _____
DATE 2. _____
DATE 3. _____

APPROVED BY

CHECKED BY

DRAWING BY

MEMO

SCALE
A3 : 1/10

DRAWING NO.

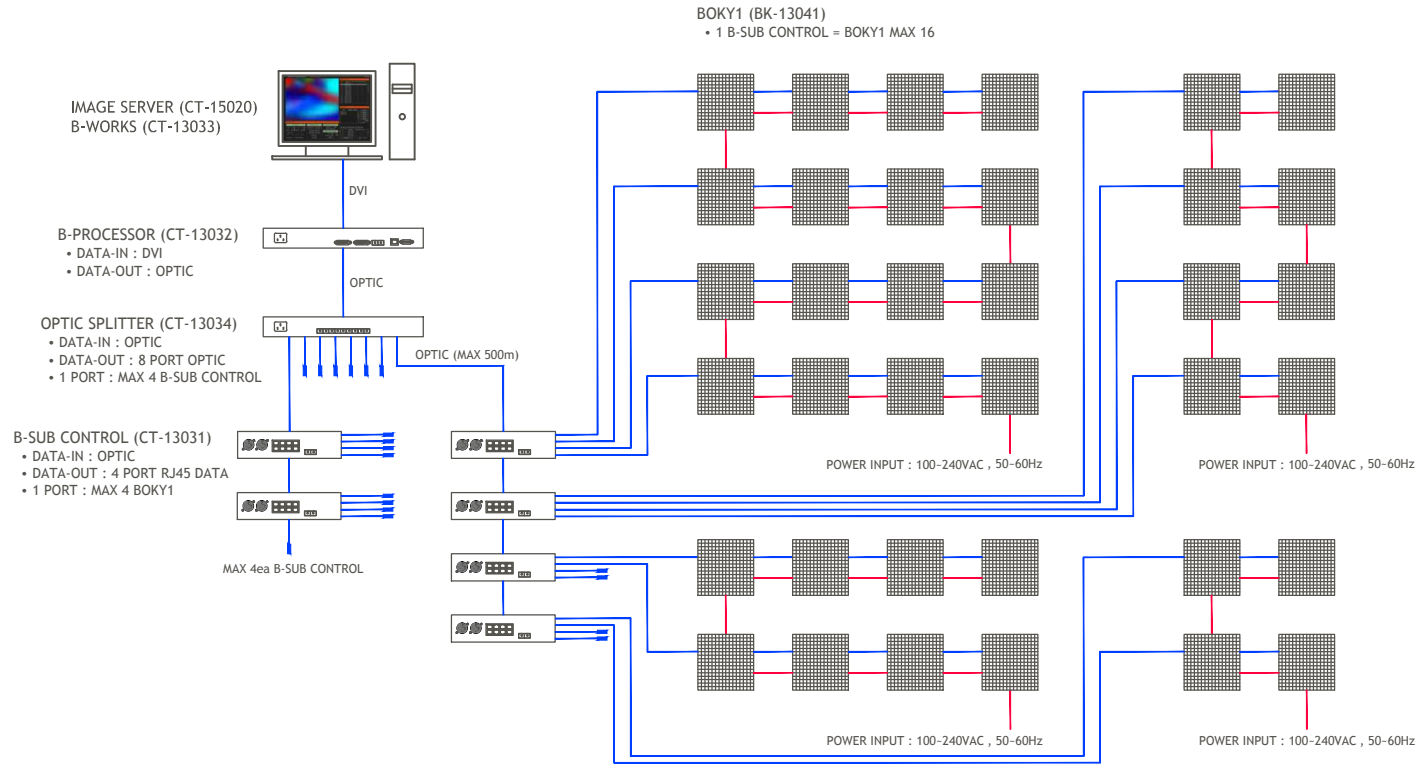
DATE
2010. 4

SHEET NO.

IMAGE-LED Lighting System

BOKY1 (BK-13041)

※ Example – BOKY1 36set<Width 6, Height 6>



PROJECT NAME

TITLE NAME
BOKY1 WIRING DIAGRAM

REVISIONS

DATE 1. _____
 DATE 2. _____
 DATE 3. _____

APPROVED BY

CHECKED BY

DRAWING BY

MEMO

SCALE
 A3 : 1/10

DRAWING NO.

DATE
 2010. 4

SHEET NO.